

Rockin' Rider Product Guide



Parts List

Installation/Assembly Instructions

Maintenance

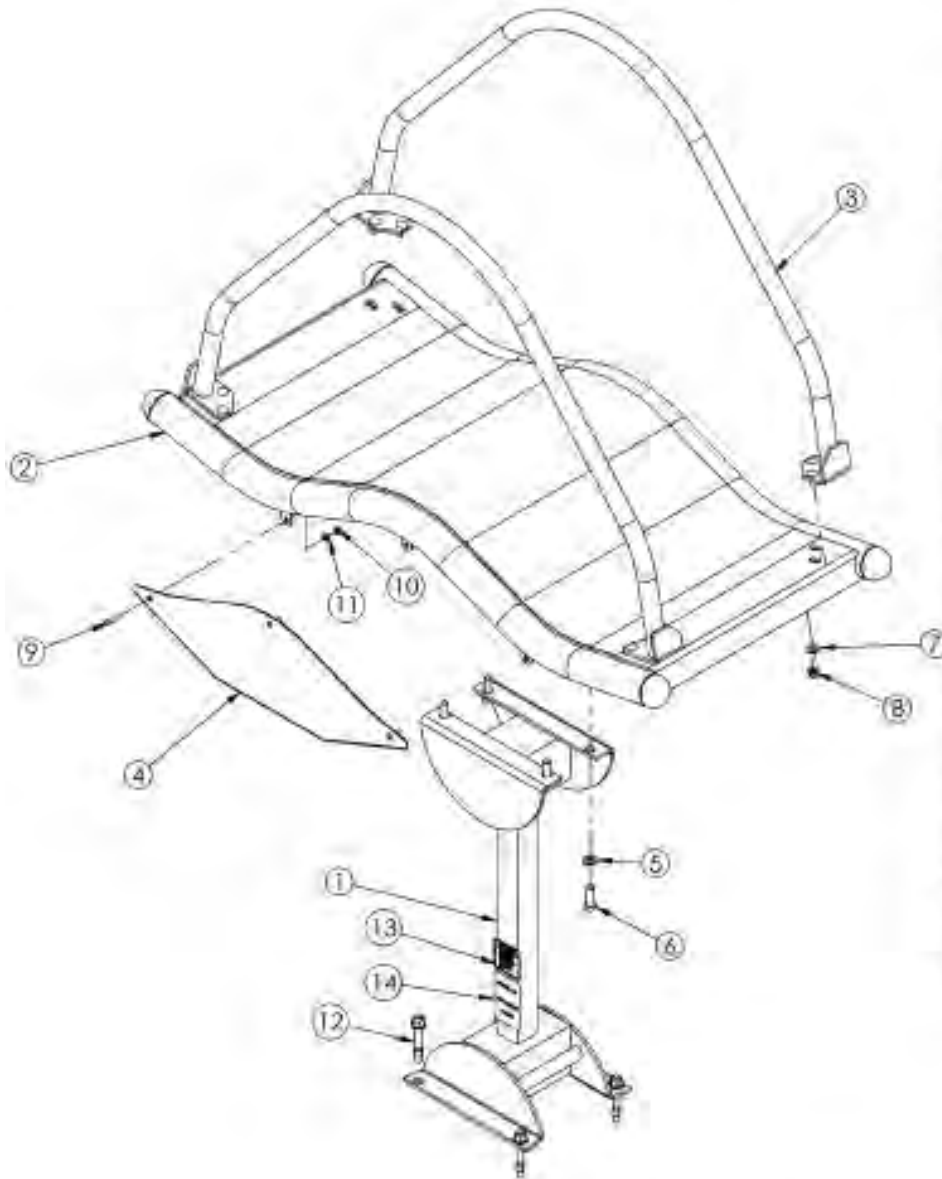
Rockin' Rider Color Options

CAR-Carnival: Yellow, Red, Blue

EAR-Earthtone: Hunter Green, Brown, Cedar

BER-Berry: Lime Green, Purple, Blue

ROC-Rocket: Silver, Red, Blue



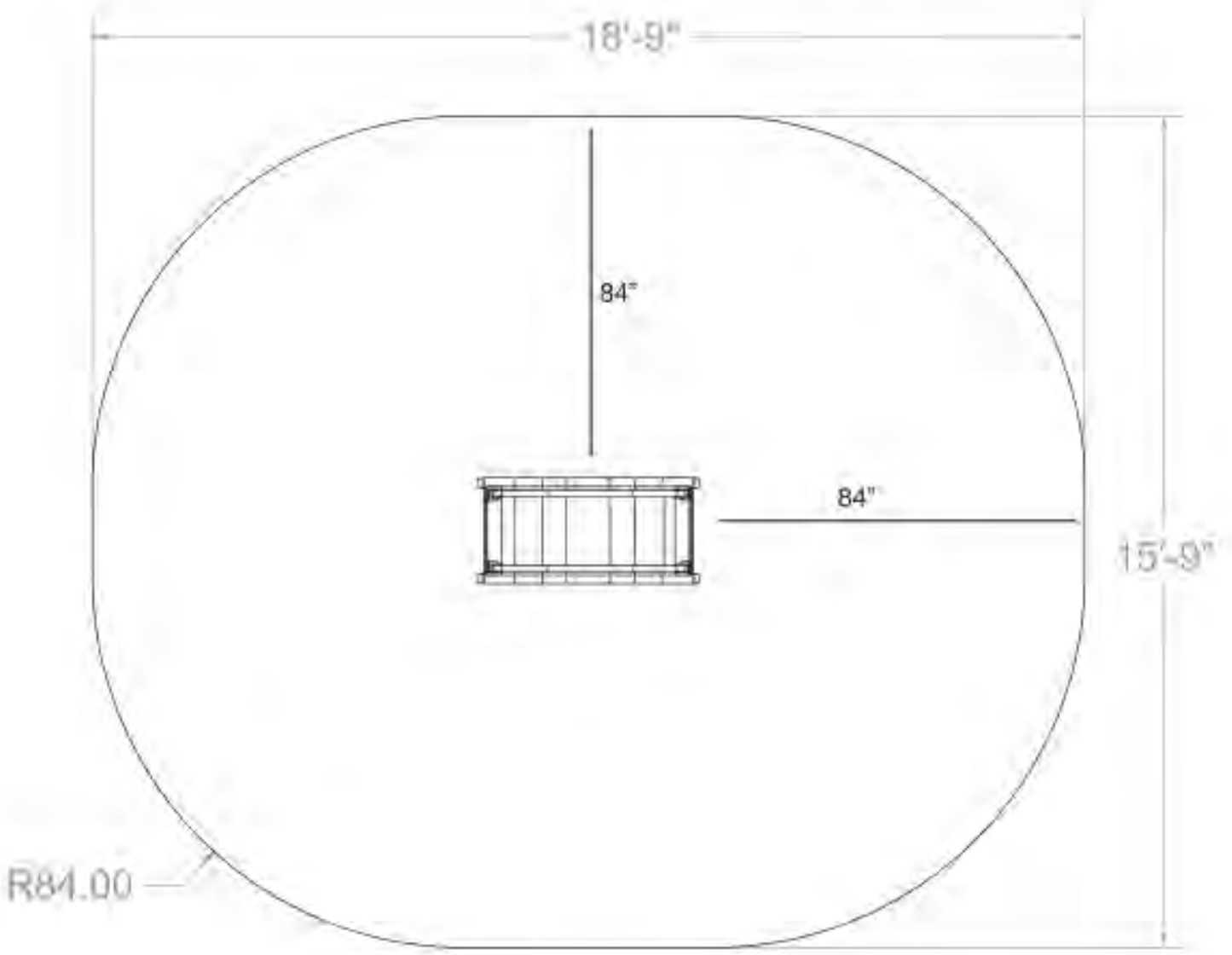
Rockin' Rider Component Part List

#	QTY.	Part No.	Description
1	1	11588BC	Double Torsion Axle
2	1	9970-00	WLDMT. Rockin' Rider, Platform
3	2	9971-00	WLDMT. Rockin' Rider Handle
4	2	99702	Rockin' Rider Side Shield
5	4	9825	Washer, SS. 50 ID x 1.0 OD
6	4	9821004	1/2"-13 x 1.50 Hex Head, Stainless
7	8	9824	3/8" Flat Washer
8	8	9822	3/8"-16 Flanged Lock Nut
9	6	1000002	1/4" - 20 x 1 Button Head
10	6	10001	1/4" - 20 Nylon Lock Nut
11	6	1000201	Washer Flat. 281 ID x .62 OD
12	4	9835	1/2" Wedge Anchor
13	1	9832	Label, Grades K-6
14	1	9830	Label, Warning

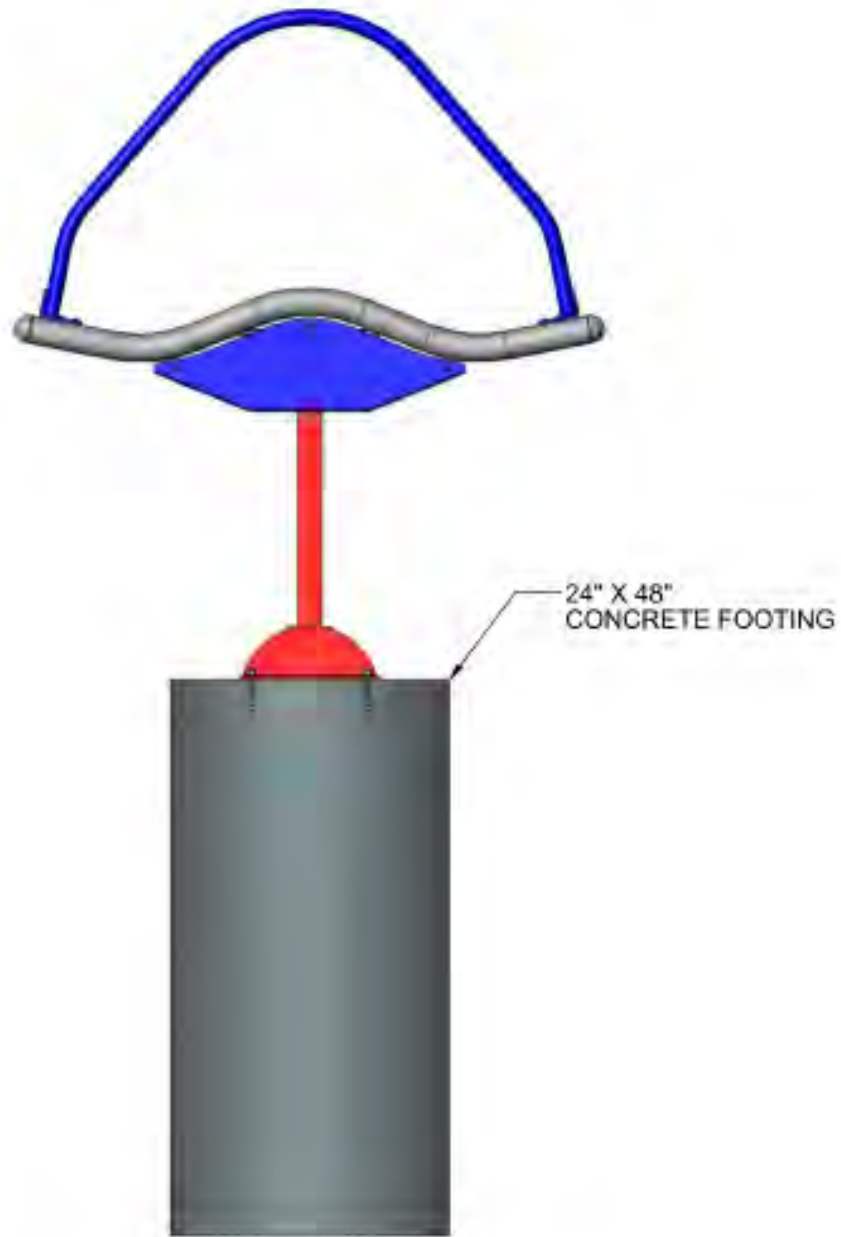
Rockin' Rider Tools List

Hammer Drill
 1/2" Hammer Drill Bit
 3/4" Socket
 9/16" Socket
 Drive Ratchet/Torque Wrench
 1/8" Allen Wrench
 7/16" Wrench Open
 Level
 Tape Measure

Rockin' Rider Use Zone



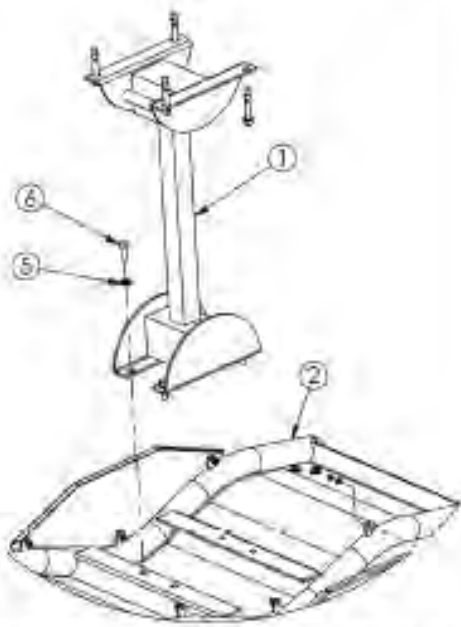
Rockin' Rider Footings



Prepare site by drilling or digging one hole for a 24" diameter by 48" deep concrete form. The top of the form must be even with the ground level. Secure form by backfilling. Fill form with 4000 psi min concrete. Allow concrete to fully cure before installing concrete bolts.

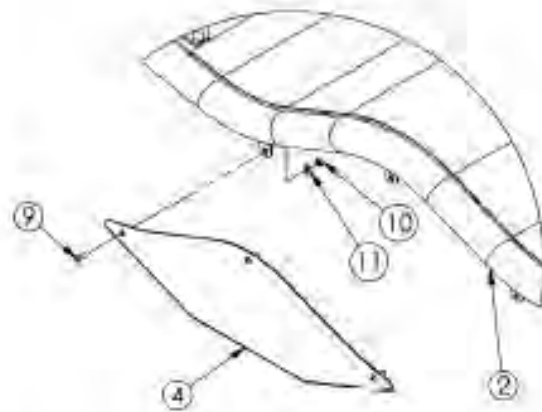
Rockin' Rider Assembly

STEP 1



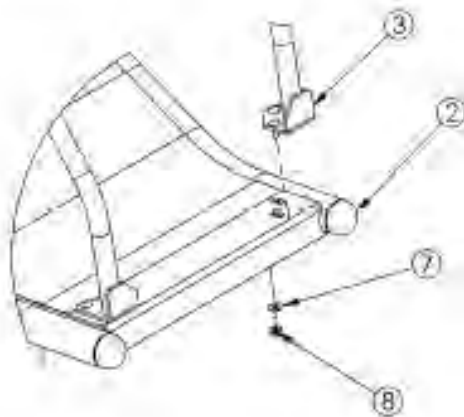
Place the Rockin' Rider platform (2) upside down on a flat surface. Place the double torsion axle (1) on top of the platform with the flange in side down. Attach the double torsion leg to the platform using 4 of the 1/2" - 13 x 1.5" hex bolts (6) and washers (5).

STEP 2



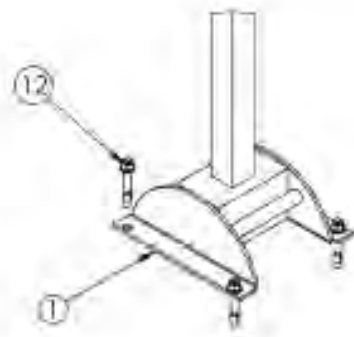
Attach the side shields (4) to the platform (2) using 3 1/4-20 button head screws (9), washers (11), and lock nuts (10).

STEP 3



Attach the handles (3) to the top of the platform (2) using 3/8" flat washers (7) and nuts (8).

STEP 4



Place the assembled Rockin' Rider on concrete footing. Center the torsion leg and mark the four holes to be drilled. Remove the Rockin' Rider from the footing and drill 4 holes 1/2" x 5 1/4" deep in the footing. Place the Rockin' Rider back over the holes and insert the wedge anchors (12) through the holes in the double torsion leg (1) and tighten the anchors.

INSPECT TO MAKE SURE ALL BOLTS ARE FASTENED TIGHT

Rockin' Rider Maintenance Schedule

Regular inspection and maintenance of all parts and fasteners is recommended. At a minimum, the following inspections should be completed:

Prior to first use:

-Ensure all hardware is securely fastened.

Monthly:

-Inspect product for wear and/or damage

-Tighten all hardware connections

-Check assembly for any signs of wear or vandalism

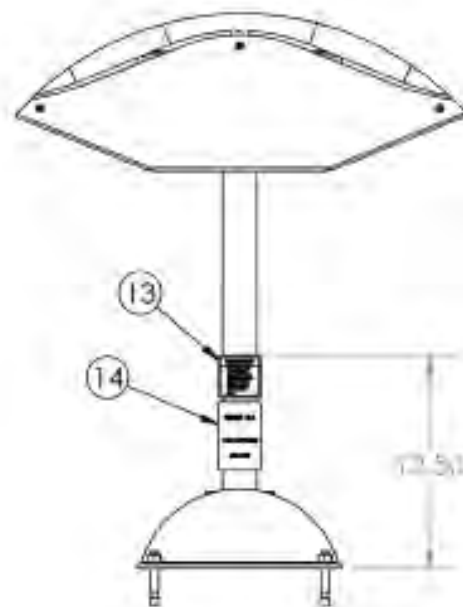
-Replace broken or worn parts immediately or take equipment out of service until repairs are made

-To restore coating to its original luster, wash/rinse/dry and use a quality vinyl protectant

-Inspect ground surface to ensure 6" minimum of surfacing at all times

All warranties are only valid if products are installed and maintained in accordance with Xccent's instructions and approved parts

Warning and Manufacturing Labels



All stickers are to be centered vertically on the leg of the Rockin' Rider. Be sure post surface is clean before applying stickers. Xccent recommends cleaning the surface with an alcohol wipe to remove all dirt for optimal adherence.